

NFA Examples

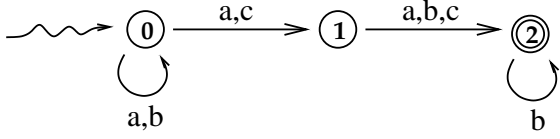


Figure 1. nfa10

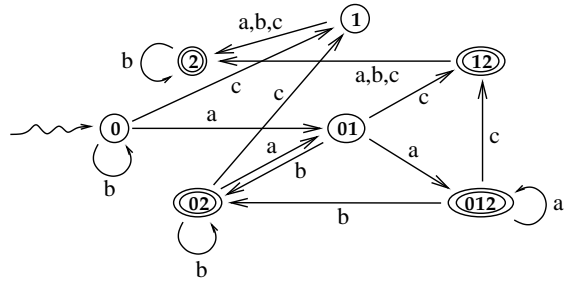


Figure 2. nfa102dfa

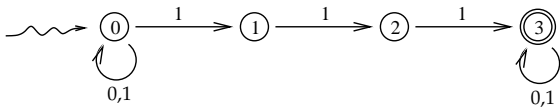


Figure 3. fgrpda1

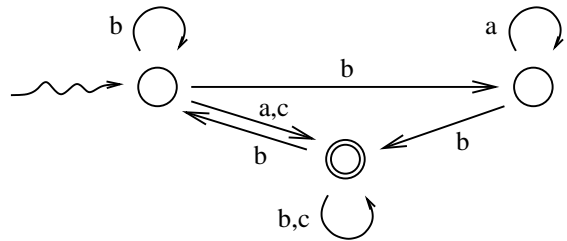


Figure 4. nfa11

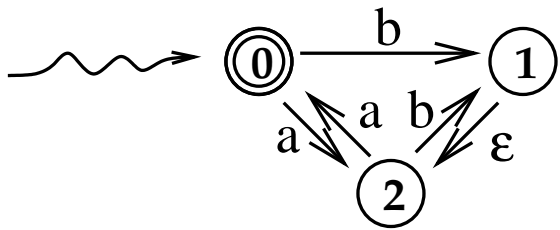


Figure 5. nfa20-01

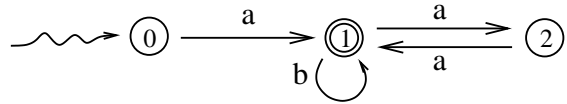


Figure 6. nfa20-02

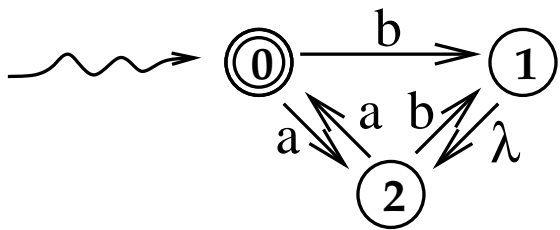


Figure 7. nfa21

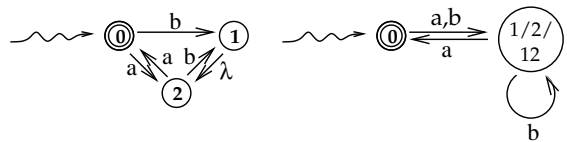


Figure 8. nfa21ans

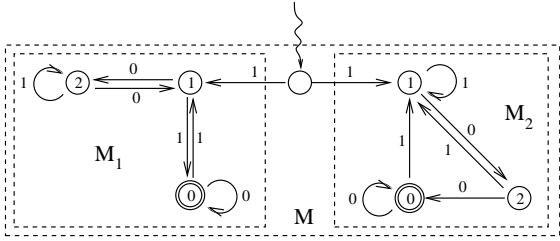


Figure 9. nfa34

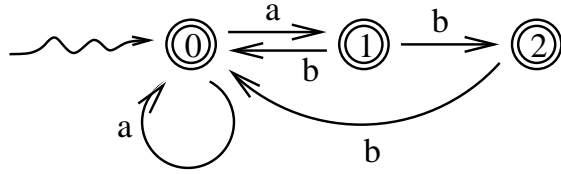


Figure 10. nfa3

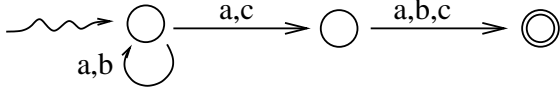


Figure 11. nfa3-8

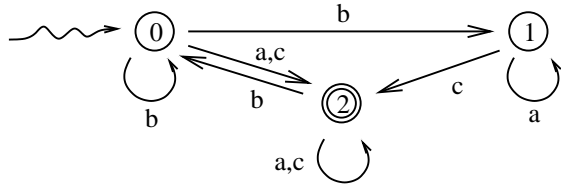


Figure 12. nfa4

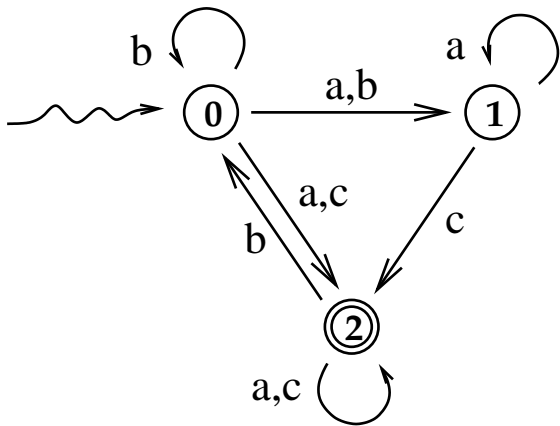


Figure 13. nfa4x

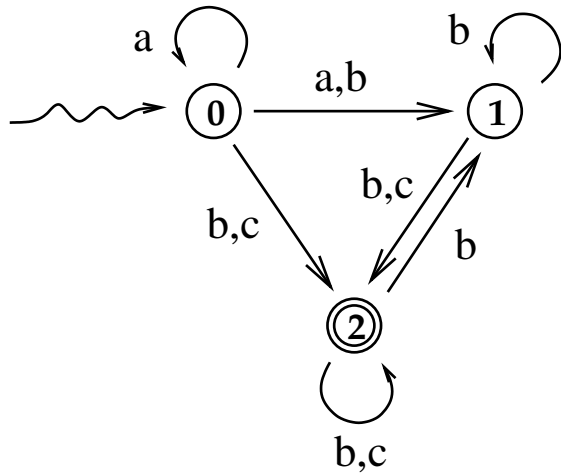


Figure 14. nfa5x

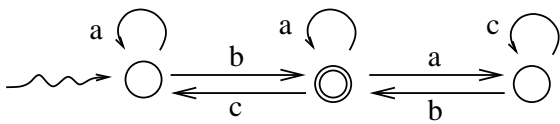


Figure 15. nfa6

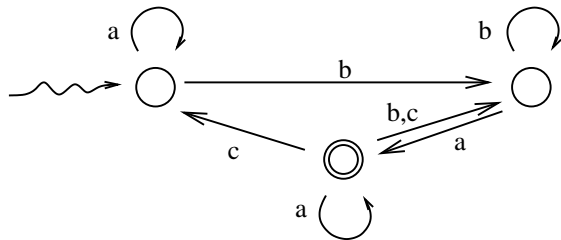


Figure 16. nfa8

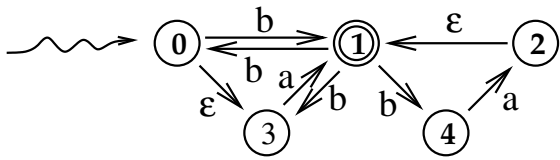


Figure 17. nfa9

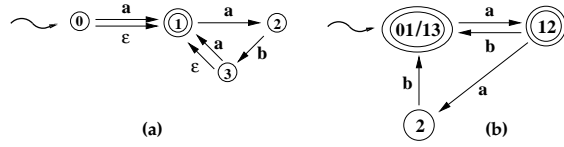


Figure 18. nfaDfa2

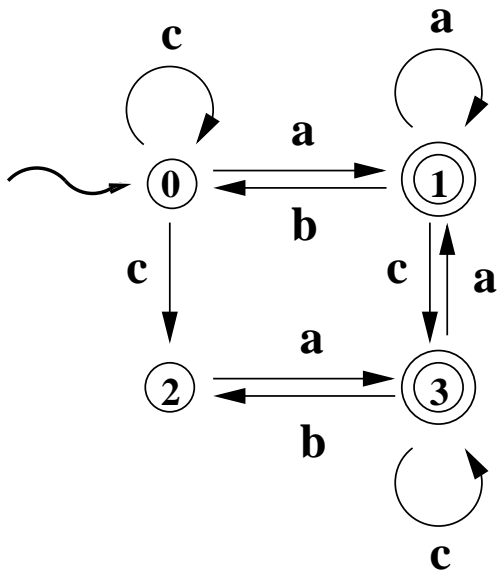


Figure 19. nfaDfa

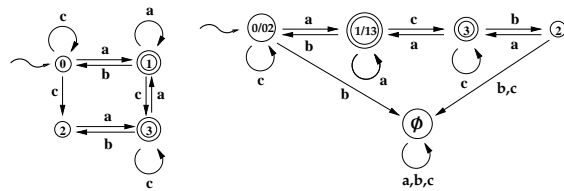


Figure 20. nfaDfaans

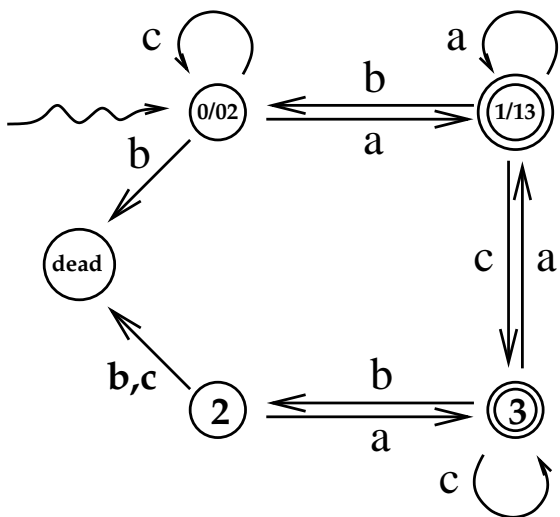


Figure 21. nfaDfax

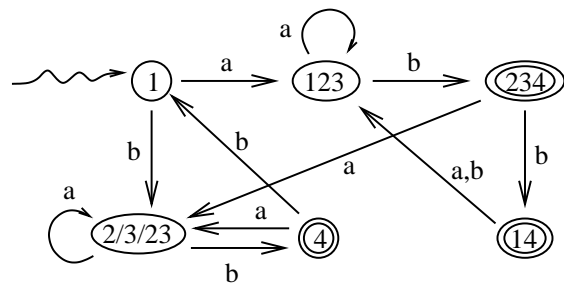


Figure 22. nfaF18dfa

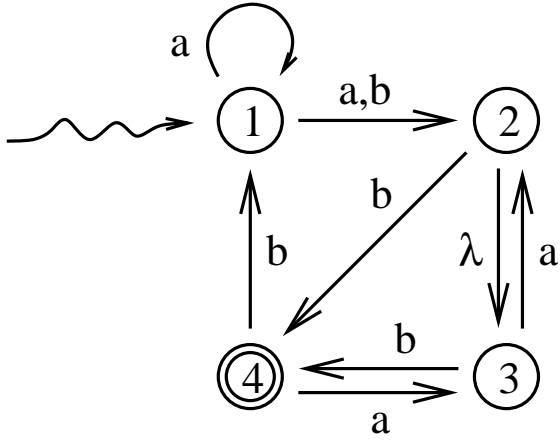


Figure 23. nfaF18

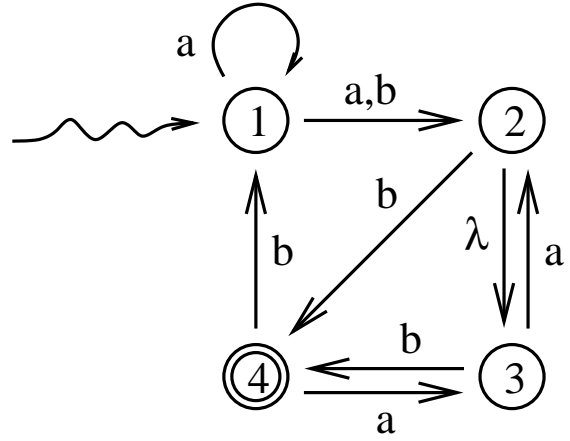


Figure 24. nfaF19

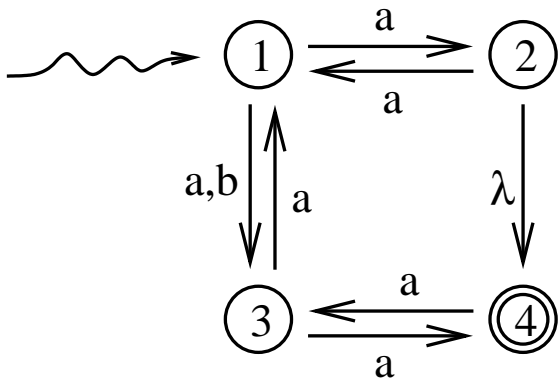


Figure 25. nfaF20

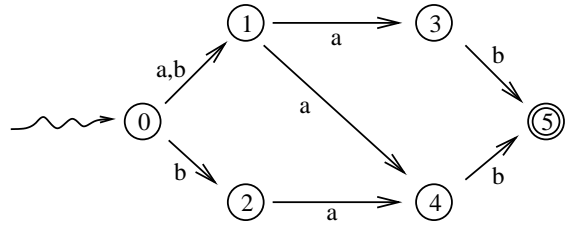


Figure 26. nfaF21

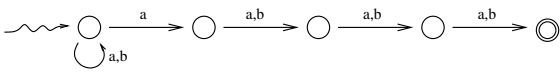


Figure 27. nfaLong

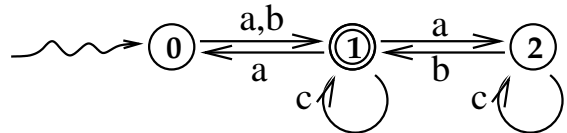


Figure 28. nfaRegx

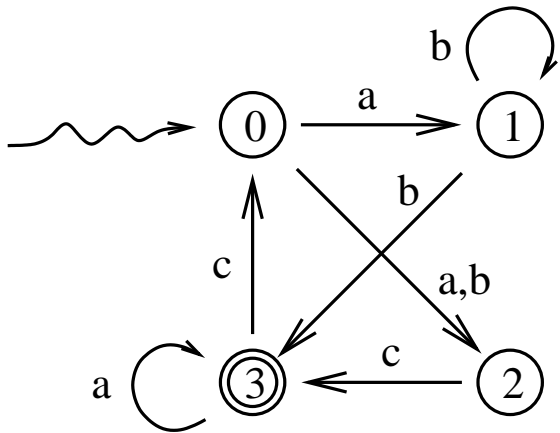


Figure 29. nfaRgNc

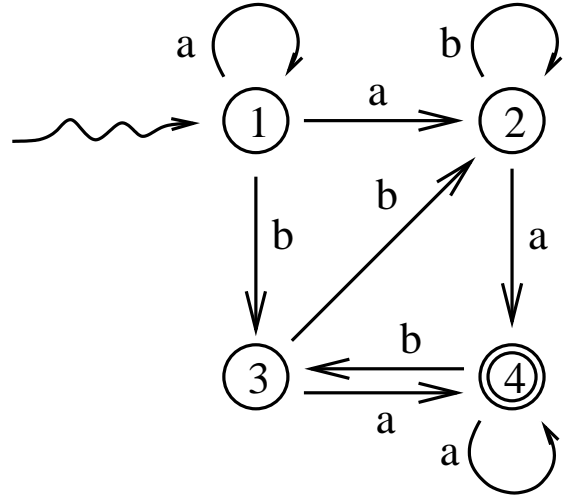


Figure 30. nfaS21

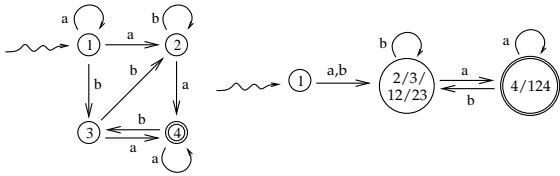


Figure 31. nfaS21ans

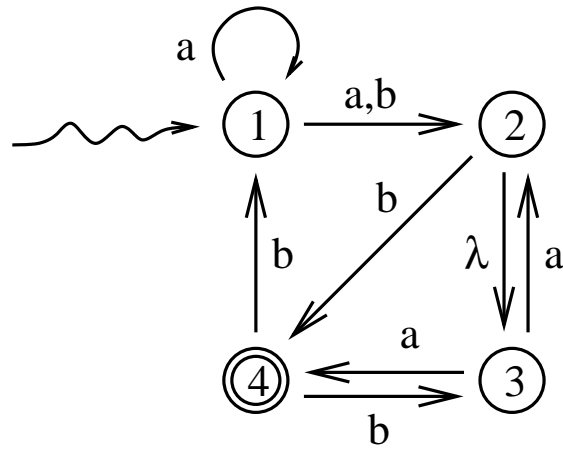


Figure 32. nfaS22

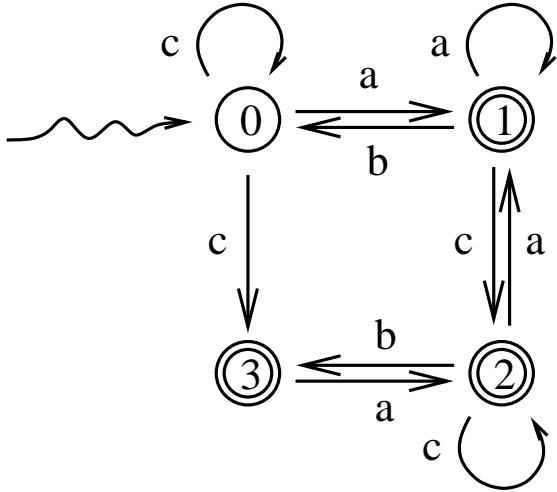


Figure 33. nfaS22reggrm

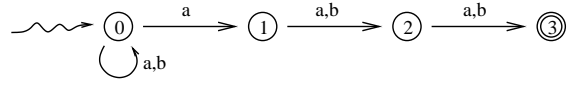


Figure 34. nfashort

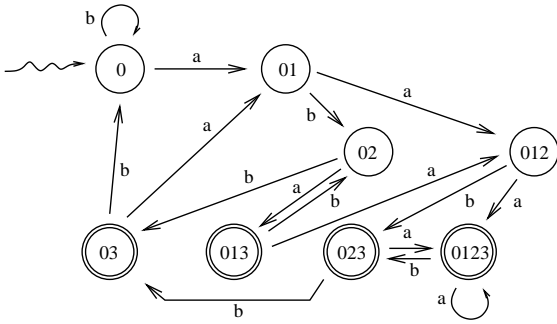


Figure 35. nfashortans

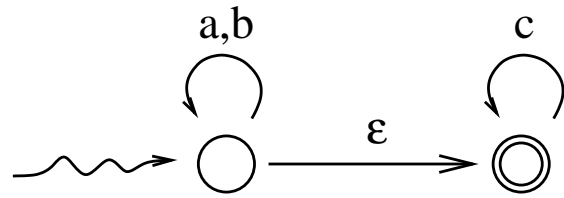


Figure 36. nfaSimple