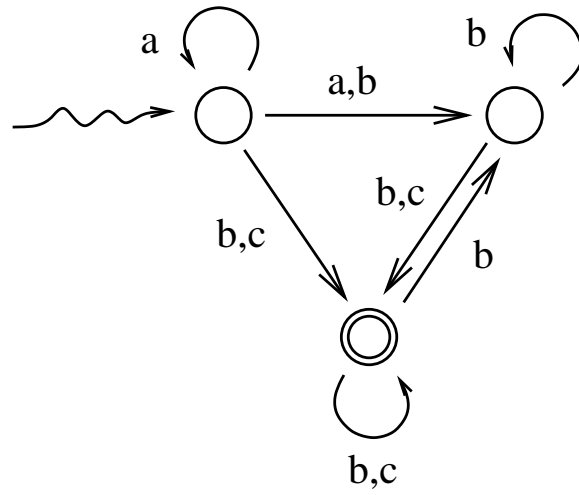


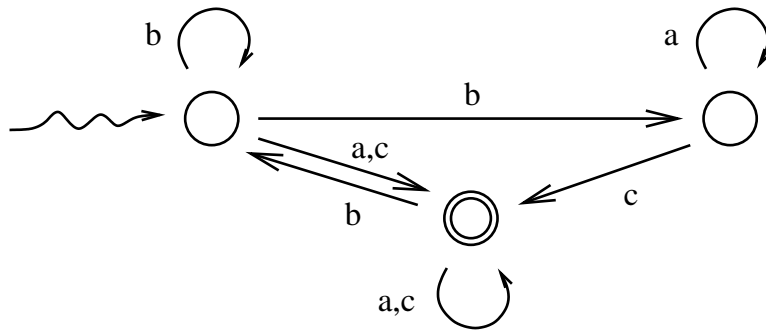


2. Find a minimal DFA equivalent to each of these NFAs.

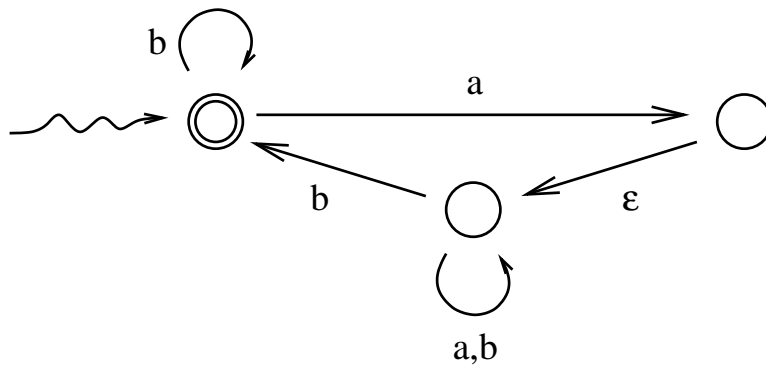
(a)



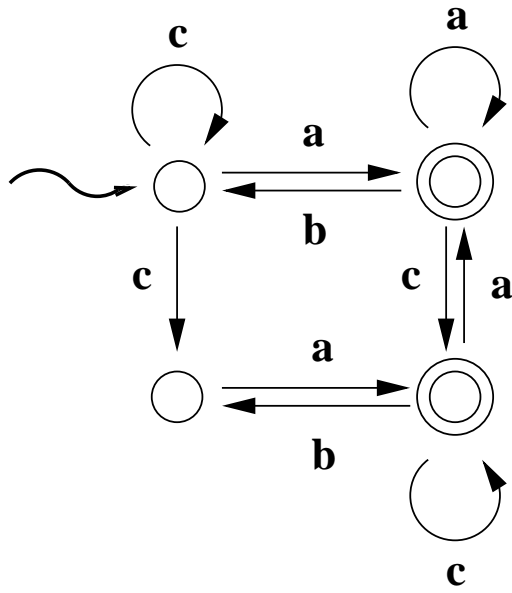
(b)



(c)



(d)



3.